

### 40-60GHz Balance Mixer, WR-19

2022-4-1

### LO with X4 AMC (Amplified Multiplier Chain)

#### Description:

AT-4MIX-4060H is an up and down balance mixer covering 40-60GHz based on GaAs MMIC technology.

RF Port frequency range is from 40-60GHz with WR-19 connector. LO range is 10-15GHz as X4 multiplier inside on LO chain. IF port frequency from DC to 20GHz with SMA Female connector.

More information, please visit [www.atmicrowave.com](http://www.atmicrowave.com)

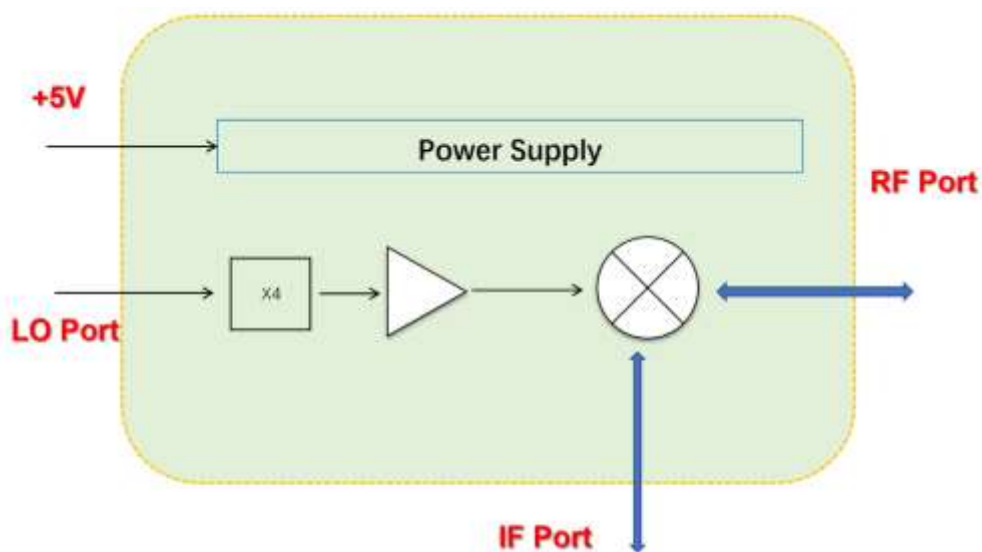
#### Feature

- ✓ RF Range: 40-60GHz
- ✓ LO Range: 10-15GHz
- ✓ Low Conversion Loss
- ✓ High RF/LO Isolation

#### Application

- ✓ Automotive Test
- ✓ Test Equipment
- ✓ ROF (RF Over Fiber)
- ✓ Radar System

#### Diagram Block





# AT-4MIX-4060H

40-60GHz Balance Mixer Integrated with x4

## Electronical Specifications: (IF=100MHz if not specified)

Parameter	Min	Typical	Max
RF Frequency Range		40-60GHz	
4XLO Frequency Range		40-60GHz	
LO Frequency Range		10-15GHz	
IF Range		DC-20GHz	
Conversion Loss		-10dB	-16dB
LO Driver	+3	+5dBm	+8dBm
LO Multiplier Factor		X4	
IF Input P1dB		+8dBm	
RF Input P1dB		+0dBm	
4XLO to RF Leakage		-20dBm	
Vdd		+5V	+8V
Idd		0.5A	
Spec Temp		25C	





# AT-4MIX-4060H

40-60GHz Balance Mixer Integrated with x4

## Mechanical Information

Item	Description
RF Port	WR-19
LO Port	SMA Female
IF Port	SMA Female
Case Material	Copper
Finish	Gold Plated
Weight	130g
Size:	See outline

## Absolute Maximum Ratings Table

Parameter	Value
IF Power	+15dBm
RF Power	+10dBm
LO Power	+23dBm
Vdd	+9V
Operating Temperature	-20 to +70C
Storage Temperature	-65 to +150C

## Notes:

1. Datasheet may be changed according to update of MMIC, Raw materials , process, and so on.
2. This data is only for reference, not for guaranteed specifications.
3. Please contact AT Microwave team to make sure you have the most current data.

## Test Data (25C)

Please note that test curves will vary slightly from unit to unit.  
To be added.

## Dimension (mm)

TO BE ADDED.

